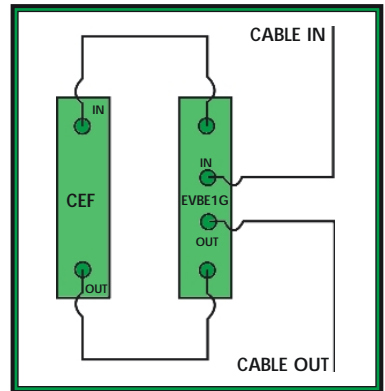
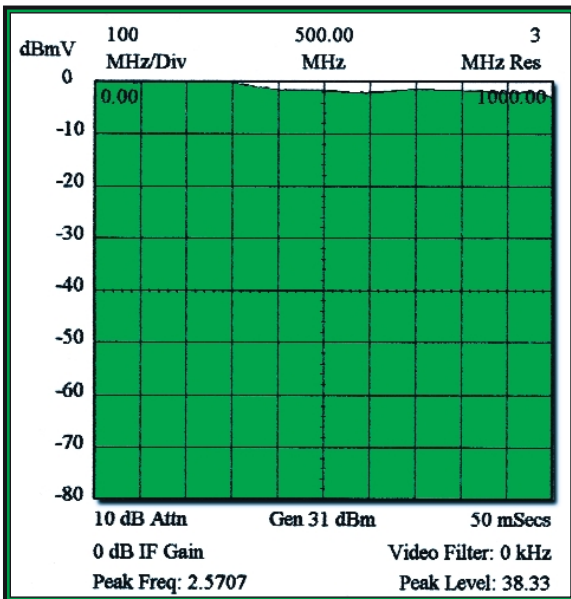


Bandwidth Expander Model PDI-EVBE1G



Model PDI-EVBE1G
Dimensions: 4 1/4" W x 1 7/8" H x 5" D

The PDI-EVBE1G is deployed in situations when a channel elimination filter network or any filter network needs to extend its bandwidth to 1 GHz. This is necessary because many channel elimination filters in use have limited bandwidths of 400, 450, or 550 MHz. Typical operation of the device allows for total compatibility of the EVBE1G unit with all brands of channel elimination filters. In certain situations there could exist custom tuning requirements.



SPECIFICATIONS:

Pass band:	5 - 1 GHz
Insertion loss:	1 dB Typical 3 dB Maximum
Impedance:	75 ohms
Connections:	F/F